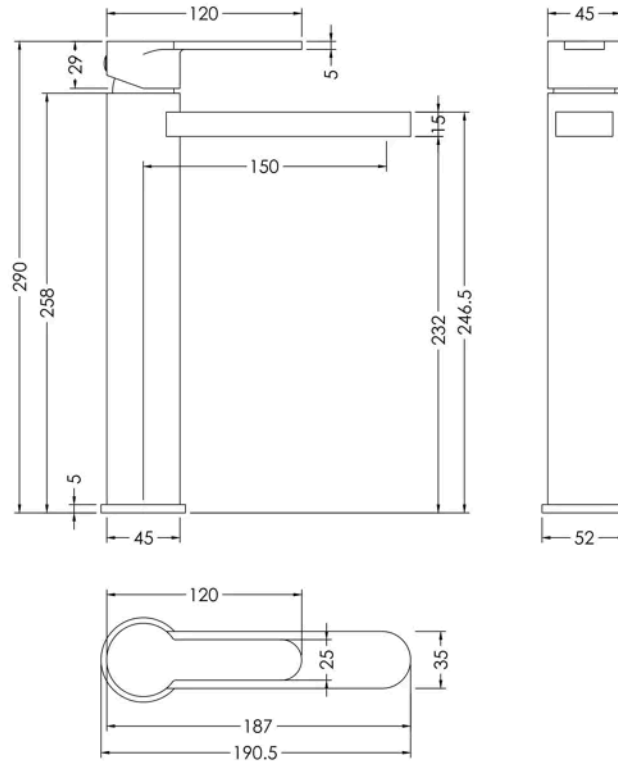


Sales Code: WIN870

Barcode: 5056462621029

Brand: nuie

Description: nuie Windon Brushed Brass High Rise Mono Basin Mixer



Product Dimensions

Product	290 x 52 x 196mm (H x W x D)
Packaged	95 x 270 x 330mm (H x W x D)
Outer Box	560 x 500 x 345mm (H x W x D)
Nett Weight	2.38 kg
Packaged Weight	2.38 kg

Packaging Details

Label Size (mm)	50 x 100
Label Colour	White
Label Qty	1.0000

Product Details

Country of Origin	China
Product Material	Brass, Plastic
Control Type	Manual
WRAS Approved	Yes
Valve/Cartridge Type	Single Lever Cartridge
Colour/Finish	Brushed Brass
Mount Type	Deck
Style	Contemporary
Handle Type	Lever/Square
TMV2 Approved	No
TMV3 Approved	No
Pipe Size	1/2"
Min Operating Pressure	0.2 Bar
Minimum Operation Pressure	0 Bar
Tap Spout Height	243 mm
Tap Spout Projection	150 mm
Tap Tails Included	Yes
Valve / Cartridge Type	Single Lever Cartridge
Waste Included	No
Wras Approval No	2204060