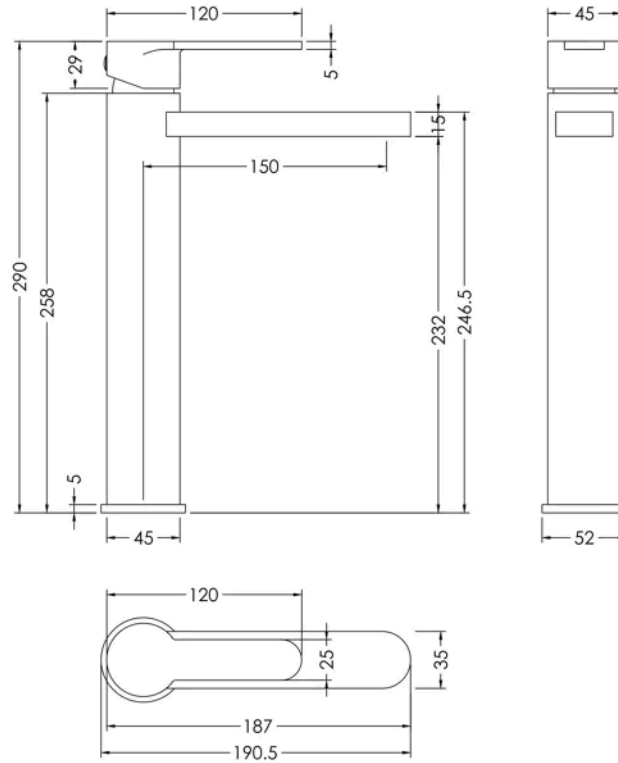


**Sales Code:** WIN770

**Barcode:** 5056462625874

**Brand:** nuie

**Description:** nuie Windon Brushed Pewter High Rise Mono Basin Mixer



### Product Dimensions

Product	290 x 50 x 192mm (H x W x D)
Packaged	95 x 270 x 330mm (H x W x D)
Outer Box	560 x 500 x 345mm (H x W x D)
Nett Weight	2.38 kg
Packaged Weight	2.38 kg

### Packaging Details

Label Size (mm)	50 x 100
Label Colour	White
Label Qty	1.0000

### Product Details

Country of Origin	China
Product Material	Brass, Plastic
Control Type	Manual
WRAS Approved	Yes
Valve/Cartridge Type	Single Lever Cartridge
Colour/Finish	Brushed Pewter
Mount Type	Deck
Style	Contemporary
Handle Type	Lever/Square
TMV2 Approved	No
TMV3 Approved	No
Pipe Size	1/2"
Min Operating Pressure	0.2 Bar
Minimum Operation Pressure	0 Bar
Tap Spout Height	243 mm
Tap Spout Projection	150 mm
Tap Tails Included	Yes
Valve / Cartridge Type	Single Lever Cartridge
Waste Included	No
Wras Approval No	2204060