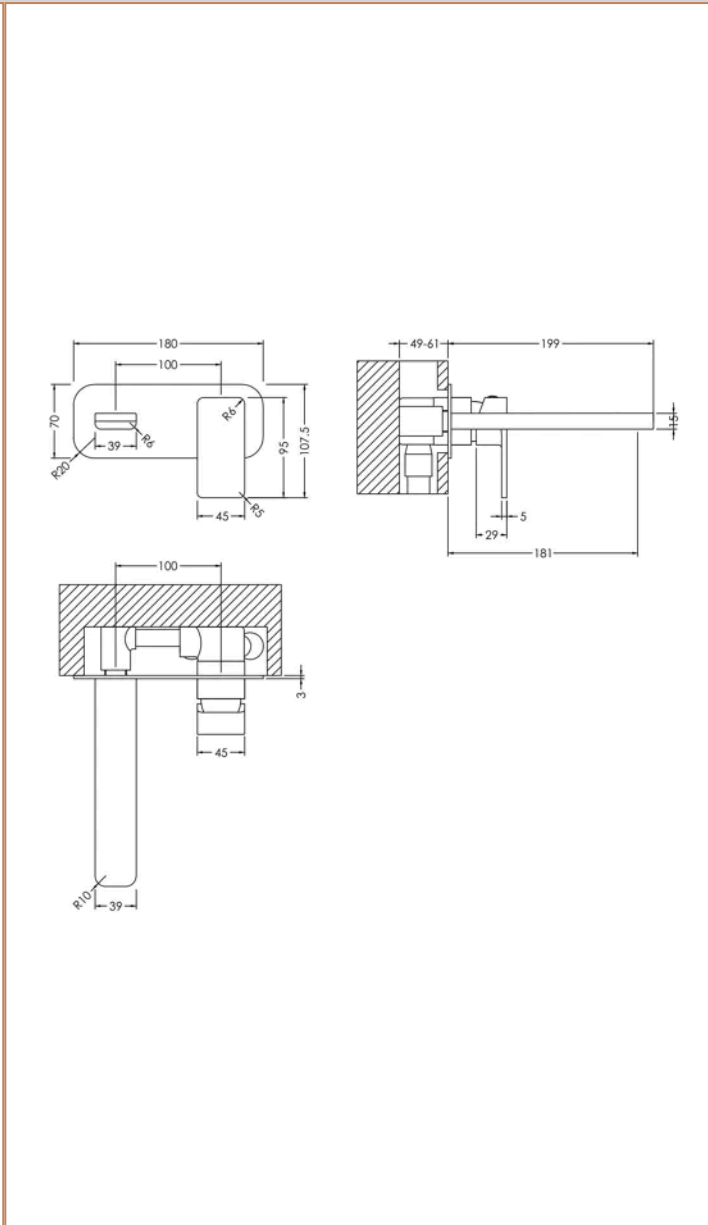


**Sales Code:** WIN428

**Barcode:** 5056211897743

**Brand:** nuie

**Description:** nuie Windon Matt Black 2 Tap Hole Wall Mounted Basin Mixer



### Product Dimensions

Product	70 x 180 x 199mm (H x W x D)
Packaged	115 x 205 x 250mm (H x W x D)
Outer Box	600 x 435 x 265mm (H x W x D)
Nett Weight	2.04 kg
Packaged Weight	2.04 kg

### Packaging Details

Label Size (mm)	50 x 100
Label Colour	White
Label Qty	1.0000

### Product Details

Country of Origin	China
Product Material	Brass, Plastic
Control Type	Manual
WRAS Approved	Yes
Valve/Cartridge Type	Single Lever Cartridge
Colour/Finish	Matt Black
Mount Type	Wall Hung
Style	Contemporary
Handle Type	Lever/Square
TMV2 Approved	No
TMV3 Approved	No
Pipe Size	1/2"
Pipe Centres	100
Min Operating Pressure	0.2 Bar
Minimum Operation Pressure	0 Bar
Tap Spout Projection	180 mm
Tap Tails Included	Yes
Valve / Cartridge Type	Single Lever Cartridge
Waste Included	No
Wras Approval No	2206032