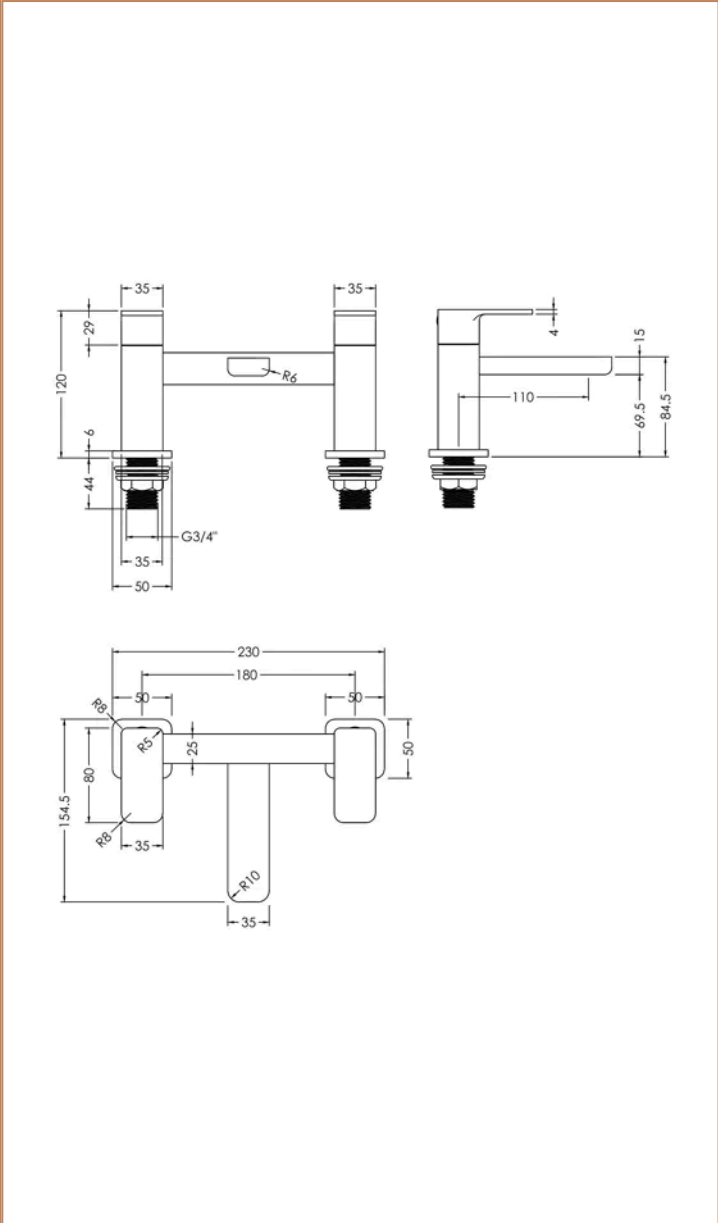


Sales Code: WIN403

Barcode: 5056211897750

Brand: nuie

Description: nuie Windon Matt Black Deck Mounted Bath Filler



Product Dimensions

Product	120 x 230 x 155mm (H x W x D)
Packaged	205 x 205 x 270mm (H x W x D)
Outer Box	560 x 540 x 530mm (H x W x D)
Nett Weight	2.16 kg
Packaged Weight	2.16 kg

Packaging Details

Label Size (mm)	50 x 100
Label Colour	White
Label Qty	1.0000

Product Details

Country of Origin	China
Product Material	Brass
Control Type	Manual
WRAS Approved	Yes
Valve/Cartridge Type	1/4 Turn Ceramic Disc
Colour/Finish	Matt Black
Mount Type	Deck
Style	Contemporary
Handle Type	Lever/Square
TMV2 Approved	No
TMV3 Approved	No
Pipe Size	3/4"
Pipe Centres	180
Handset Included	Yes
Hose Included	Yes
Hose Length	1500 mm
Min Operating Pressure	1 Bar
Minimum Operation Pressure	1 Bar
Tap Spout Height	70 mm
Tap Spout Projection	110 mm
Valve / Cartridge Type	1/4 Turn Ceramic Disc
Waste Included	No
Wras Approval No	2206032