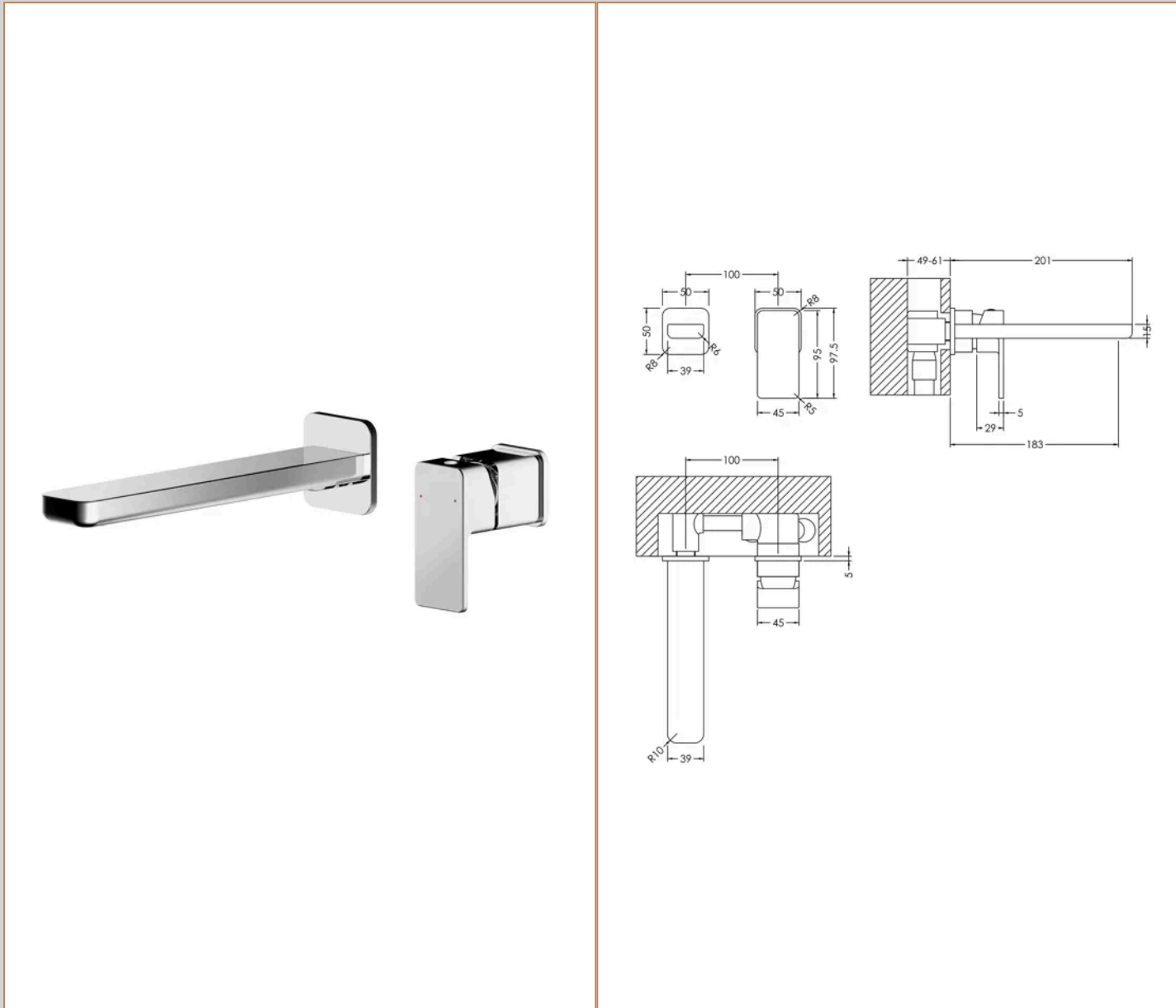


**Sales Code:** WIN381

**Barcode:** 5056211898221

**Brand:** nuie

**Description:** nuie Windon Chrome 2 Tap Hole Wall Mounted Basin Mixer



### Product Dimensions

|                 |                               |
|-----------------|-------------------------------|
| Product         | 50 x 150 x 201mm (H x W x D)  |
| Packaged        | 115 x 205 x 250mm (H x W x D) |
| Outer Box       | 600 x 435 x 265mm (H x W x D) |
| Nett Weight     | 1.93 kg                       |
| Packaged Weight | 1.93 kg                       |

### Packaging Details

|                 |          |
|-----------------|----------|
| Label Size (mm) | 50 x 100 |
| Label Colour    | White    |
| Label Qty       | 1.0000   |

### Product Details

|                            |                        |
|----------------------------|------------------------|
| Country of Origin          | China                  |
| Product Material           | Brass, Plastic         |
| Control Type               | Manual                 |
| WRAS Approved              | No                     |
| Valve/Cartridge Type       | Single Lever Cartridge |
| Colour/Finish              | Chrome                 |
| Mount Type                 | Wall Hung              |
| Style                      | Contemporary           |
| Handle Type                | Lever/Square           |
| TMV2 Approved              | No                     |
| TMV3 Approved              | No                     |
| Pipe Size                  | 1/2"                   |
| Pipe Centres               | 100                    |
| Min Operating Pressure     | 0.2 Bar                |
| Minimum Operation Pressure | 0 Bar                  |
| Tap Spout Projection       | 180 mm                 |
| Tap Tails Included         | Yes                    |
| Valve / Cartridge Type     | Single Lever Cartridge |
| Waste Included             | No                     |