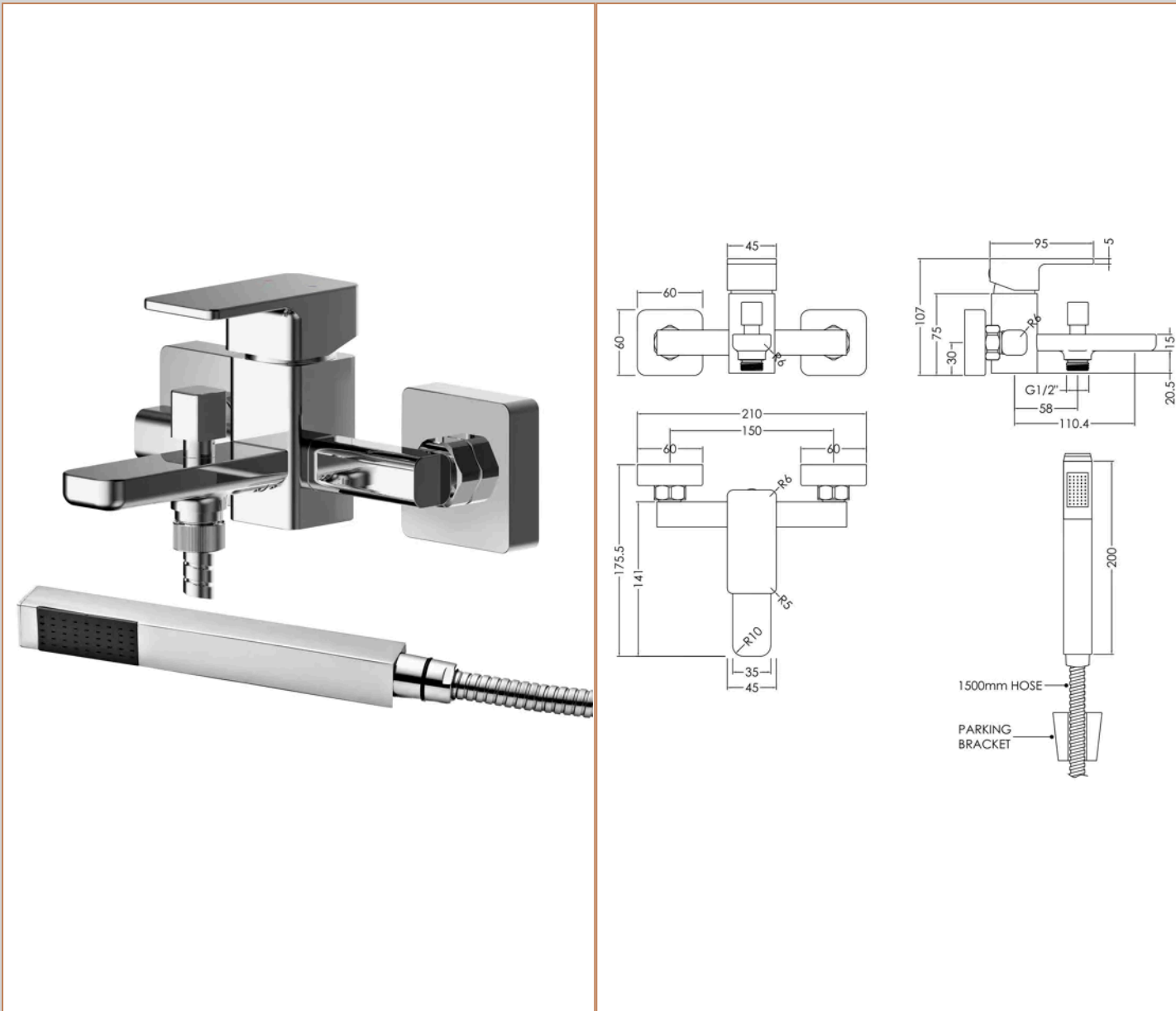


Sales Code: WIN316

Barcode: 5056211898320

Brand: nuie

Description: nuie Windon Chrome Wall Mounted Bath Shower Mixer With Kit



Product Dimensions

Product	105 x 180 x 141mm (H x W x D)
Packaged	125 x 275 x 330mm (H x W x D)
Outer Box	565 x 525 x 350mm (H x W x D)
Nett Weight	2.02 kg
Packaged Weight	2.02 kg

Packaging Details

Label Size (mm)	50 x 100
Label Colour	White
Label Qty	1.0000

Product Details

Country of Origin	China
Product Material	Brass Abs, Plastic
Control Type	Manual
WRAS Approved	No
Valve/Cartridge Type	1/4 Turn Ceramic Disc
Colour/Finish	Chrome
Mount Type	Wall Hung
Style	Contemporary
Handle Type	Lever/Square
TMV2 Approved	No
TMV3 Approved	No
Pipe Size	3/4"
Pipe Centres	150
Handset Included	Yes
Hose Included	Yes
Hose Length	1500 mm
Min Operating Pressure	3 Bar
Minimum Operation Pressure	3 Bar
Tap Spout Projection	110 mm
Tap Tails Included	Yes
Valve / Cartridge Type	1/4 Turn Ceramic Disc
Waste Included	No