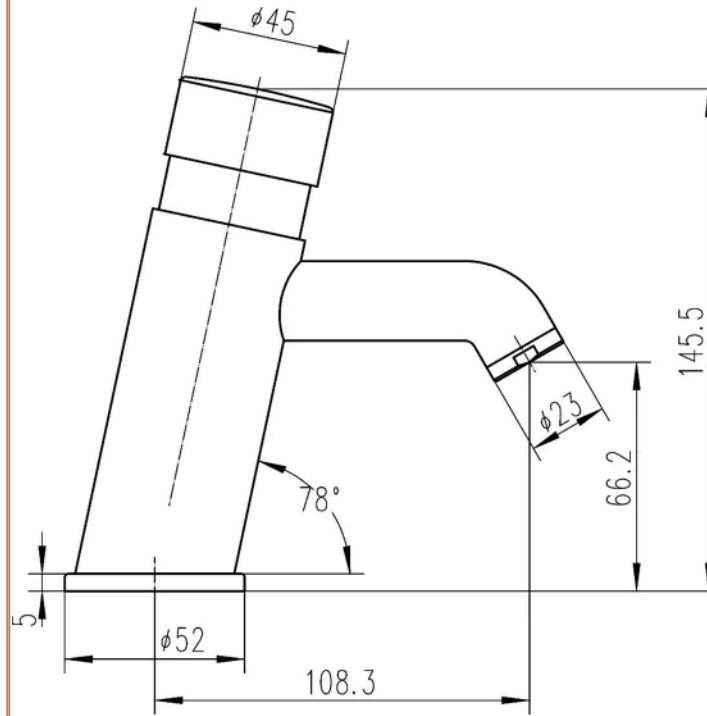


Sales Code: TWS009

Barcode: 5055369019298

Brand: nuie

Description: nuie Chrome Commercial Mono Basin Mixer



Product Dimensions

Product	146 x 45 x 108mm (H x W x D)
Packaged	85 x 150 x 200mm (H x W x D)
Outer Box	275 x 410 x 305mm (H x W x D)
Nett Weight	1.39 kg
Packaged Weight	1.54 kg

Packaging Details

Label Size (mm)	50 x 100
Label Colour	White
Label Qty	2.0000

Product Details

Country of Origin	United Kingdom
Product Material	Brass
Control Type	Non-Concussive
WRAS Approved	No
Valve/Cartridge Type	Non Concussive
Colour/Finish	Chrome
Mount Type	Deck
Style	Contemporary
Handle Type	Non-concussive
TMV2 Approved	No
TMV3 Approved	No
Min Operating Pressure	1 Bar
Minimum Operation Pressure	1 Bar
Tap Spout Height	65 mm
Tap Spout Projection	103 mm
Tap Tails Included	Yes
Valve / Cartridge Type	Non Concussive
Waste Included	No