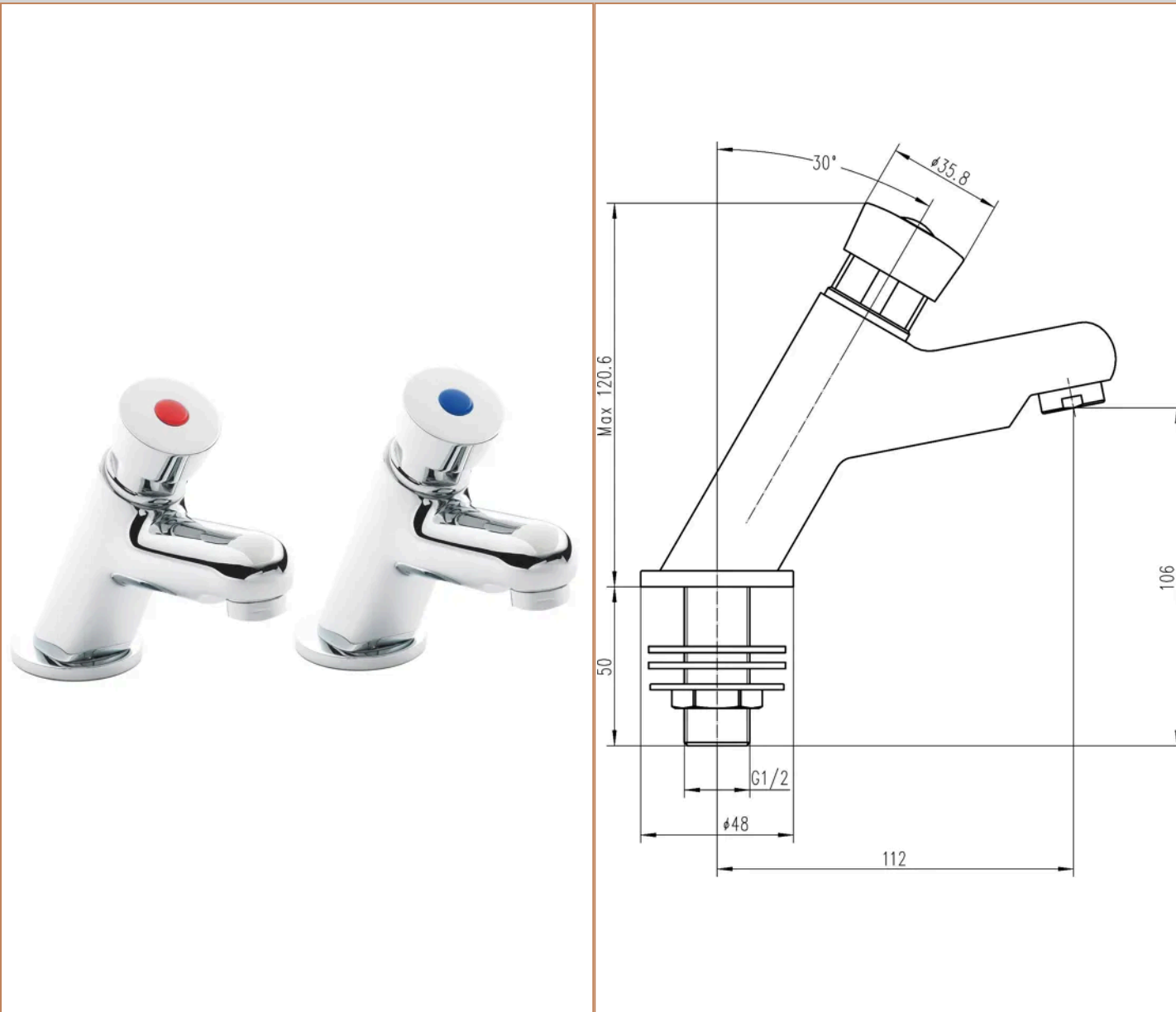


**Sales Code:** TWS007

**Barcode:** 5055369019274

**Brand:** nuie

**Description:** nuie Chrome Commercial Basin Mixer



### Product Dimensions

Product	121 x 48 x 136mm (H x W x D)
Packaged	55 x 185 x 230mm (H x W x D)
Outer Box	180 x 455 x 375mm (H x W x D)
Nett Weight	1.16 kg
Packaged Weight	1.16 kg

### Packaging Details

Label Size (mm)	50 x 100
Label Colour	White
Label Qty	2.0000

### Product Details

Country of Origin	United Kingdom
Product Material	Brass
Control Type	Non-Concussive
WRAS Approved	No
Valve/Cartridge Type	Non Concussive
Colour/Finish	Chrome
Mount Type	Deck
Style	Contemporary
Handle Type	Non-concussive
TMV2 Approved	No
TMV3 Approved	No
Min Operating Pressure	1 Bar
Minimum Operation Pressure	1 Bar
Tap Spout Height	63 mm
Tap Spout Projection	112 mm
Tap Tails Included	Yes
Valve / Cartridge Type	Non Concussive
Waste Included	No