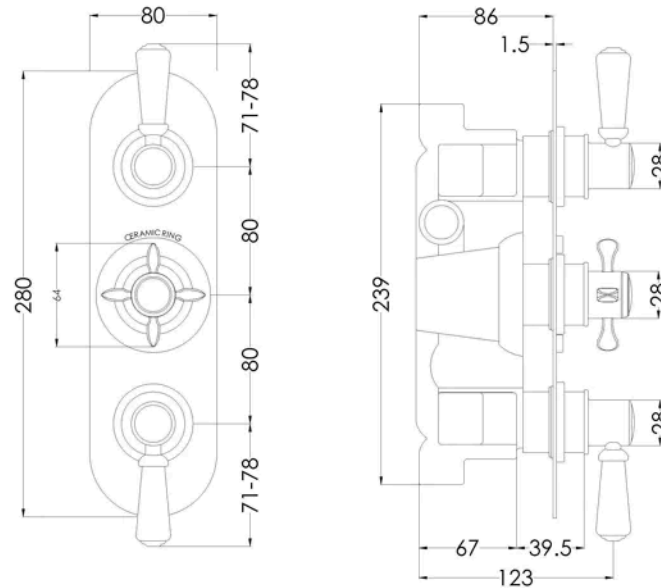


Sales Code: SELTR03

Barcode: 5056462623894

Brand: nuie

Description: Selby Traditional Triple Concealed Valve with Diverter



Product Dimensions

Product	280 x 80 x 135mm (H x W x D)
Packaged	110 x 250 x 320mm (H x W x D)
Outer Box	500 x 510 x 355mm (H x W x D)
Nett Weight	3.5 kg
Packaged Weight	3.5 kg

Packaging Details

Label Size (mm)	50 x 100
Label Colour	White
Label Qty	1.0000

Product Details

Country of Origin	China
Product Material	Brass Abs
Control Type	Manual
WRAS Approved	Yes
Valve/Cartridge Type	1/4 Turn
Colour/Finish	Chrome
Mount Type	Recessed/Wall
Style	Traditional
Handle Type	Lever/Round
TMV2 Approved	Yes
TMV3 Approved	No
Pipe Size	22 mm (3/4" BSP)
Handset Included	No
Head Included	No
Min Operating Pressure	0.5 Bar
Minimum Operation Pressure	1 Bar
No. Outlets	3.0000
Outlet Elbow Supplied	No
Tmv2 Approval Number	2603035
Valve / Cartridge Type	1/4 Turn
Wras Approval No	250602040