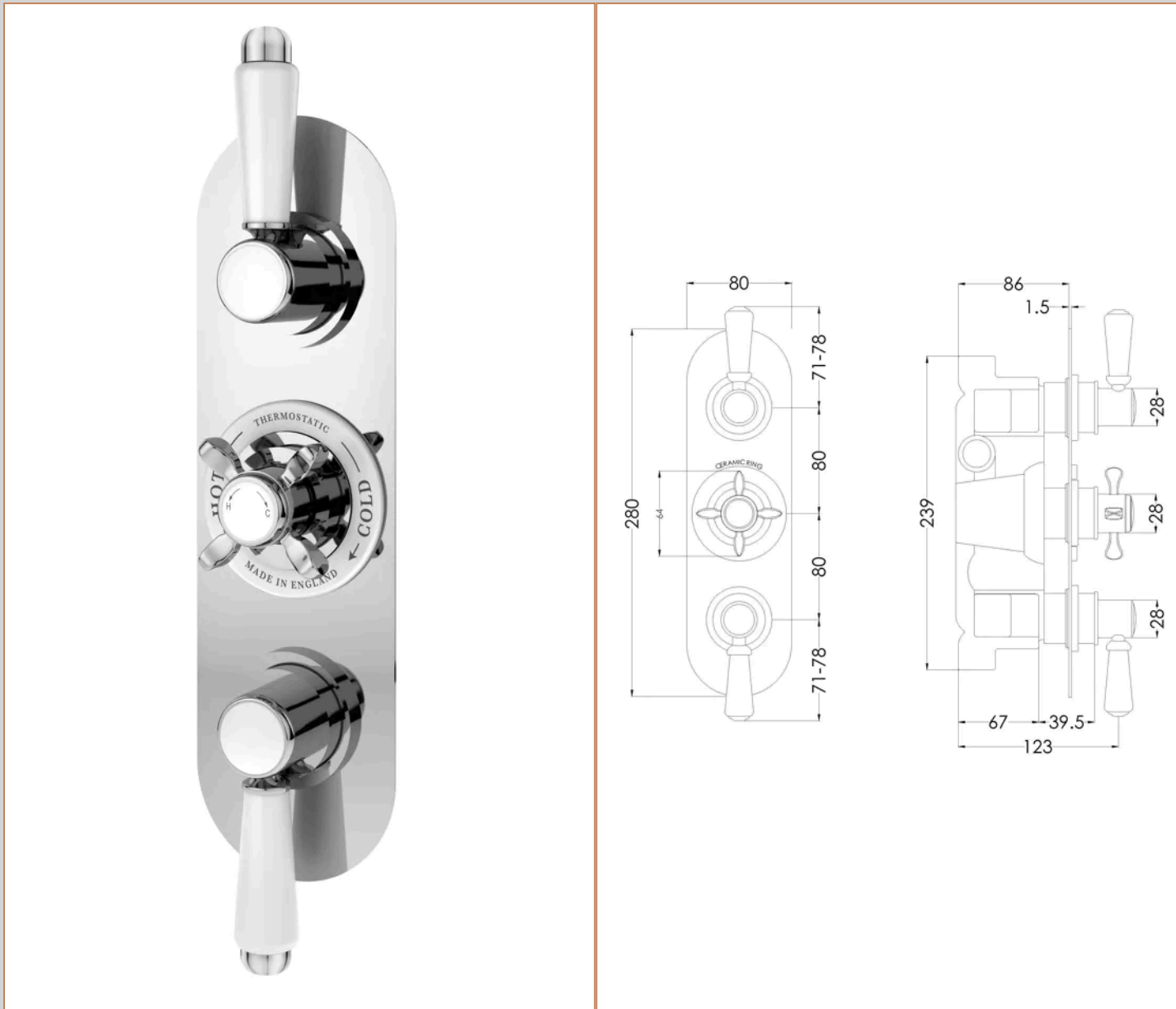


**Sales Code:** SELTR02

**Barcode:** 5056462623887

**Brand:** nuie

**Description:** Selby Traditional Triple Concealed Valve



### Product Dimensions

Product	280 x 120 x 135mm (H x W x D)
Packaged	110 x 250 x 320mm (H x W x D)
Outer Box	360 x 520 x 340mm (H x W x D)
Nett Weight	3.5 kg
Packaged Weight	3.5 kg

### Packaging Details

Label Size (mm)	50 x 100
Label Colour	White
Label Qty	1.0000

### Product Details

Country of Origin	China
Product Material	Brass Abs
Control Type	Manual
WRAS Approved	Yes
Valve/Cartridge Type	1/4 Turn
Colour/Finish	Chrome
Mount Type	Recessed/Wall
Style	Traditional
Handle Type	Lever/Round
TMV2 Approved	No
TMV3 Approved	No
Handset Included	No
Head Included	No
Min Operating Pressure	0.1 Bar
Minimum Operation Pressure	0 Bar
No. Outlets	2.0000
Outlet Elbow Supplied	No
Valve / Cartridge Type	1/4 Turn
Wras Approval No	2204707