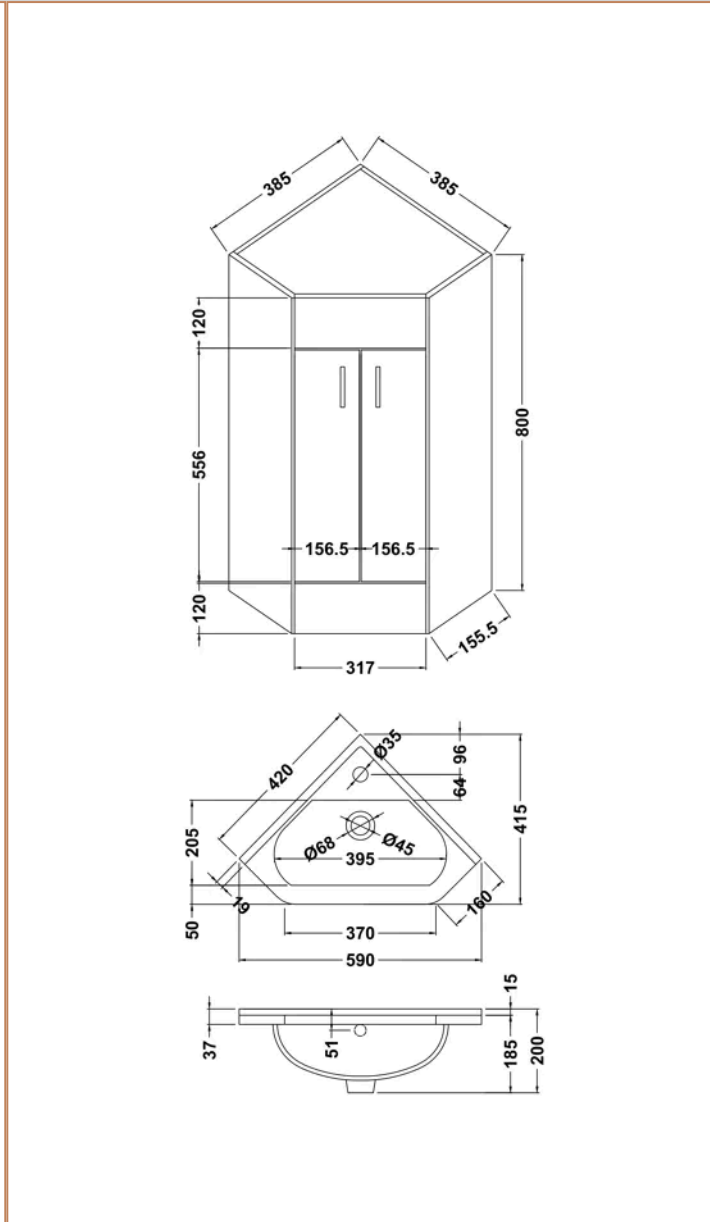


**Sales Code:**  
NVC180A

**Barcode:** 5060272823320

**Brand:** nuie

**Description:** nuie Mayford 400mm Gloss White Floor Standing 2 Door Corner Vanity Unit With Ceramic Basin



**Product Dimensions**

Product	837 x 590 x 415mm (H x W x D)
Packaged	840 x 410 x 560mm (H x W x D)
Nett Weight	22.26 kg
Packaged Weight	23.76 kg

**Product Details**

Country of Origin	China
Product Material	Mfc Painted Gloss
Colour/Finish	Gloss White
Mount Type	Floor
Style	Contemporary
Handle Type	D Shape
Construction Method	Cam & Wood Dowel
Ce Certified	No
Construction Type	Rigid
Handles Included	Yes
Inner Bowl Height	100 mm
Leg Set Included	No
Legs Included	No
Material Thickness	16 mm
No. Doors	2
No. Of Tapholes	1
No. Shelves	1
Number Of Bowls	1
Number Of Shelves	1
Overflow Included	Yes
Tap Included	No
Waste Included	No
Waste Shroud	No