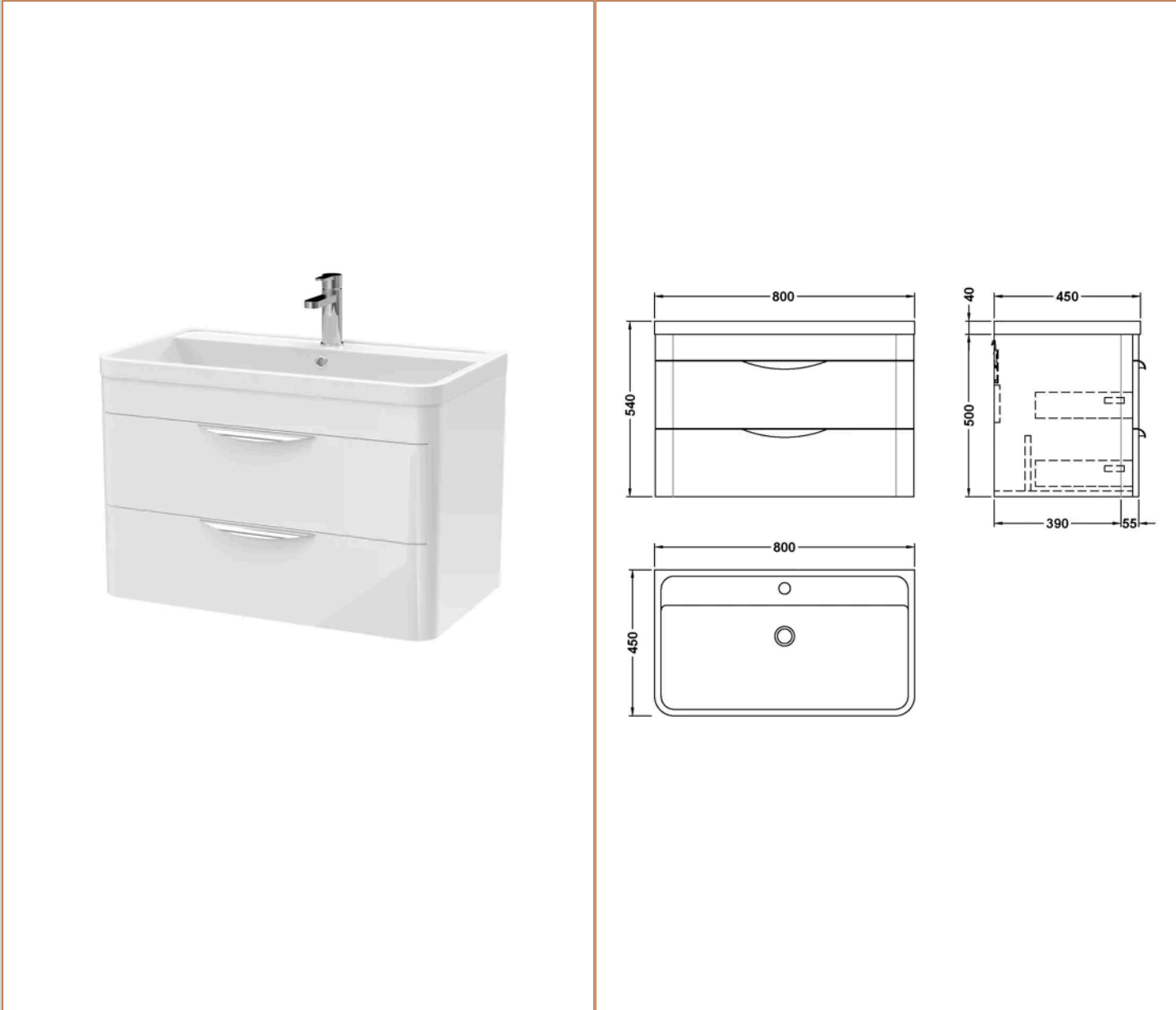


Sales Code: FPA005

Barcode: 5055369021826

Brand: nuie

Description: nuie Parade 800mm Gloss White 2 Drawer Wall Hung Vanity Unit With Polymarble Basin



Product Dimensions

Product	540 x 800 x 445mm (H x W x D)
Packaged	550 x 550 x 550mm (H x W x D)
Nett Weight	0.55 kg
Packaged Weight	0.55 kg

Product Details

Country of Origin	China
Product Material	Mfc Smooth Matt,Polymarble
Colour/Finish	Gloss White
Mount Type	Wall Hung
Style	Contemporary
Handle Type	Cup
Construction Method	Cam & Wood Dowel
Construction Type	Rigid
Drawer Type	80mm High Metal S/C Inc Gallery
Fsc Certified	Yes
Handles Included	Yes
Inner Bowl Depth	315 mm
Inner Bowl Height	105 mm
Inner Bowl Width	755 mm
Leg Set Included	No
Legs Included	No
Material Thickness	18 mm
No. Drawers	2
No. Of Tapholes	1
Number Of Bowls	1
Overflow Cover Included	Yes
Overflow Included	Yes
Tap Included	No
Waste Included	No
Waste Shroud	Yes