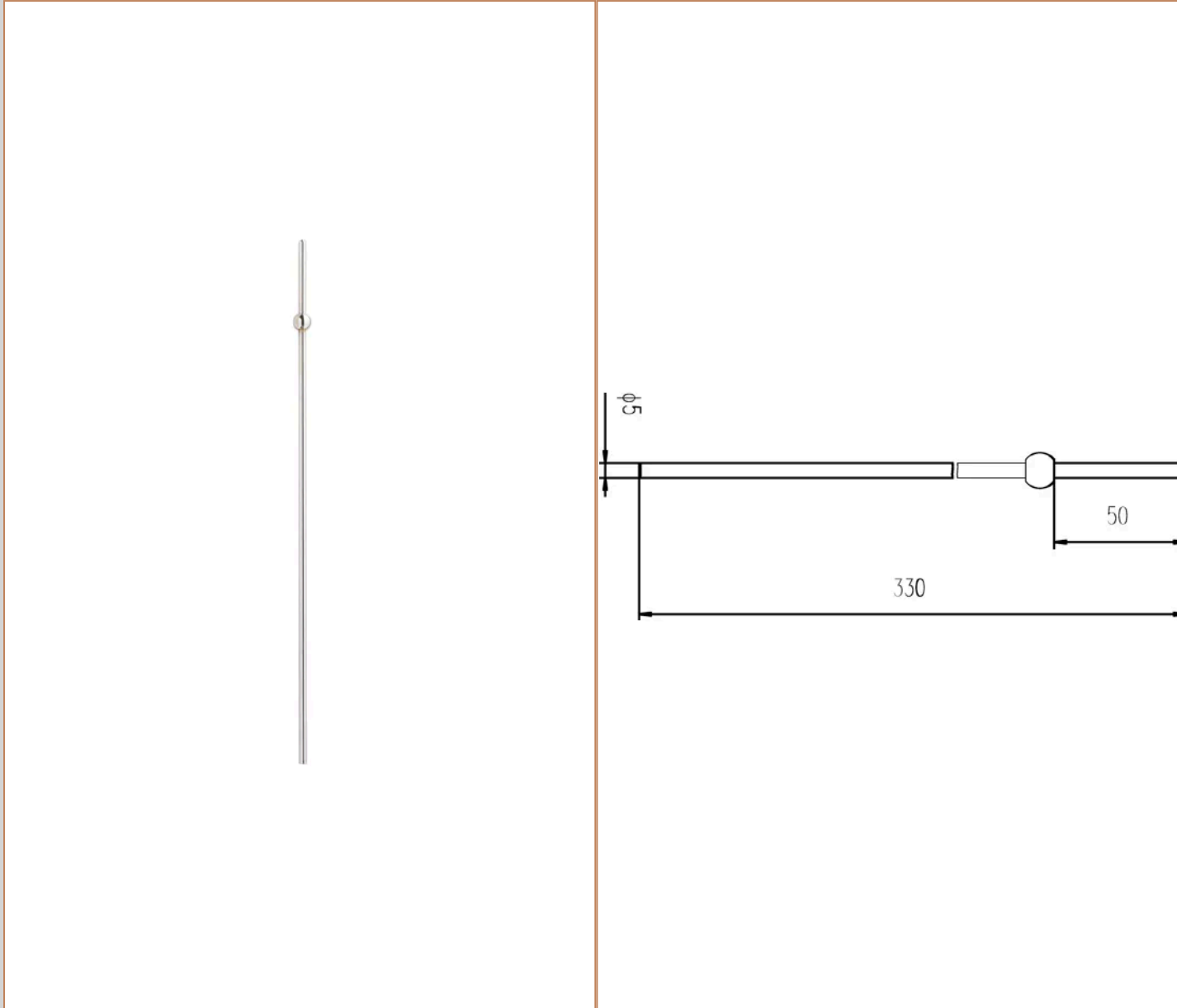


Sales Code: FA301

Barcode: 5055146148289

Brand: nuie

Description: Chrome Extended Horizontal Rod



Product Dimensions

Product	330 x 5 x 5mm (H x W x D)
Packaged	10 x 10 x 330mm (H x W x D)
Nett Weight	0.06 kg
Packaged Weight	0.06 kg

Product Details

Country of Origin	China
Product Material	Brass
Colour/Finish	Chrome
Style	Traditional
Product Diameter	5 mm