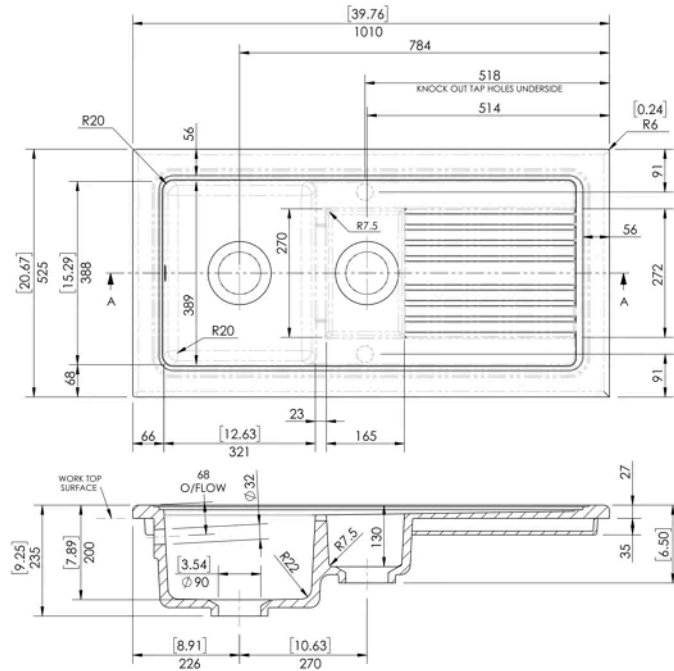


Sales Code:
CT415T1000

Barcode: 5056678434963

Brand: Fireclay
Sinks

Description: nuie 1010mm x 525mm Fireclay Soft Black 1.5 Bowl Rectangular Countertop Drainer Sink



Product Dimensions

Product	235 x 1010 x 525mm (H x W x D)
Packaged	250 x 1030 x 540mm (H x W x D)
Nett Weight	27.5 kg
Packaged Weight	28 kg

Product Details

Country of Origin	United Arab Emirates
Product Material	Fireclay
Colour/Finish	Soft Black
Style	Traditional
Inner Bowl Depth	389 mm
Inner Bowl Height	200 mm
Inner Bowl Width	321 mm
No. Of Tapholes	No Tapholes
Number Of Bowls	1.5
Overflow Included	Yes
Sink Thickness	22 mm
Tap Included	No
Waste Included	No
Waste Size Required	90mm