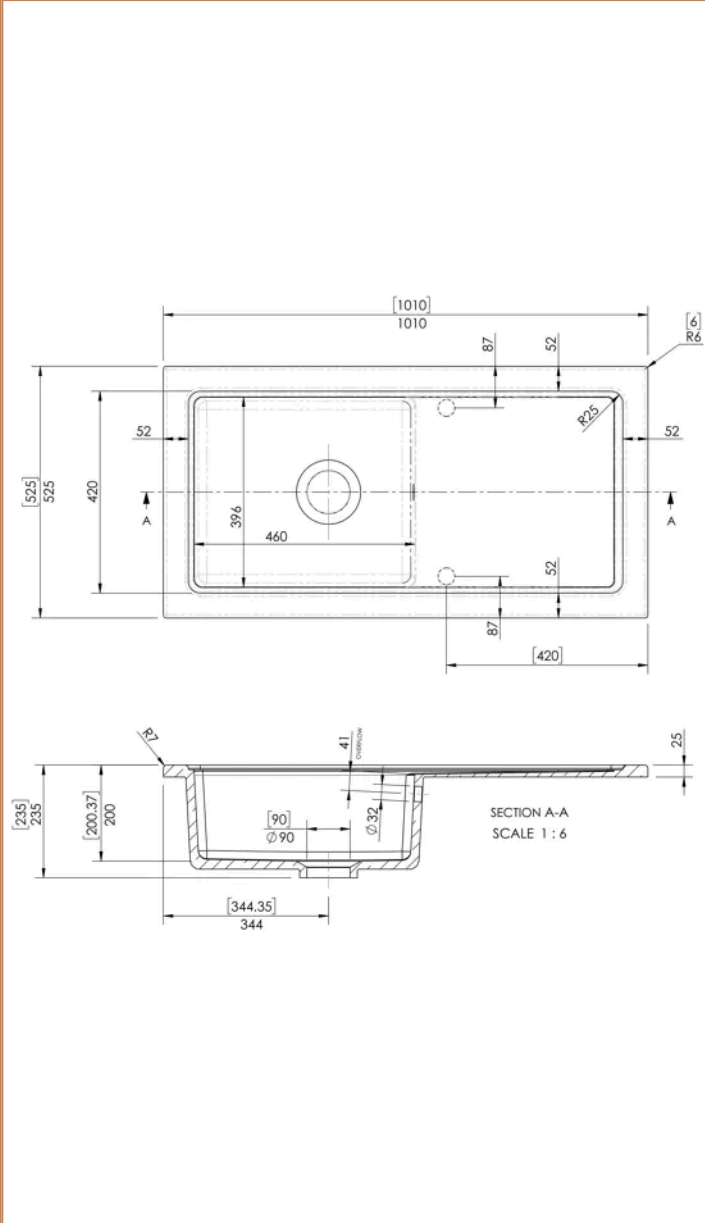


**Sales Code:**  
CT11TF1010

**Barcode:** 5056678418390

**Brand:** Fireclay  
Sinks

**Description:** nuie 1010mm x 525mm Fireclay White Single Bowl Rectangular Countertop Drainer Sink



Product Dimensions	
Product	235 x 1010 x 525mm (H x W x D)
Packaged	240 x 1100 x 510mm (H x W x D)
Nett Weight	27.5 kg
Packaged Weight	28 kg
Product Details	
Country of Origin	United Arab Emirates
Product Material	Fireclay
Colour/Finish	White
Style	Traditional
Inner Bowl Depth	396 mm
Inner Bowl Height	200 mm
Inner Bowl Width	460 mm
No. Of Tapholes	No Tapholes
Number Of Bowls	1
Overflow Included	Yes
Sink Thickness	22 mm
Tap Included	No
Waste Included	No