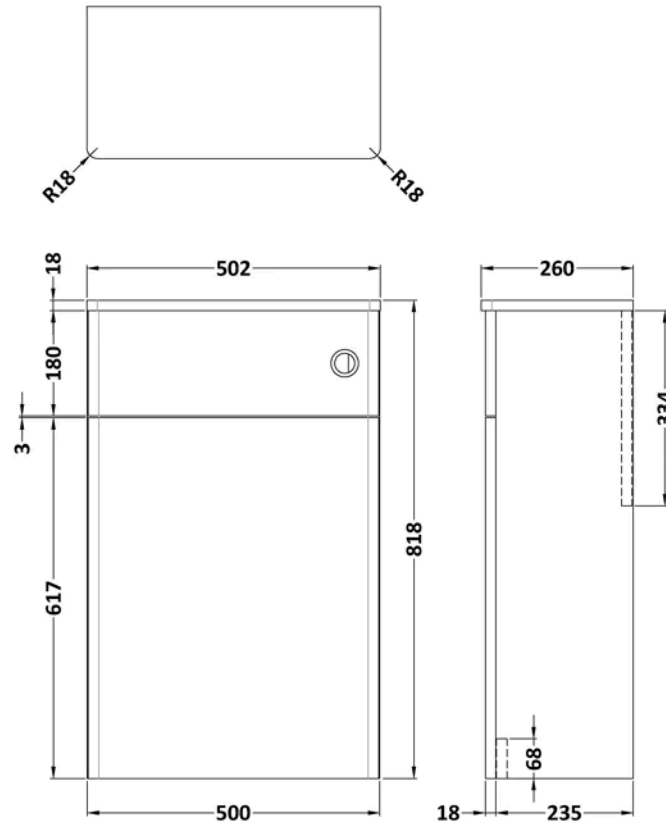


Sales Code: CLA241

Barcode: 5056462643359

Brand: nuie

Description: nuie Classique 500mm Satin Grey Floor Standing WC Unit



Product Dimensions

Product	818 x 500 x 253mm (H x W x D)
Packaged	860 x 525 x 285mm (H x W x D)
Nett Weight	15.9 kg
Packaged Weight	16.4 kg

Product Details

Country of Origin	China
Product Material	Mfc Painted Matt
Colour/Finish	Satin Grey
Mount Type	Floor
Style	Traditional
Construction Method	Cam & Wood Dowel
Construction Type	Rigid
Fsc Certified	Yes
Material Thickness	16 mm