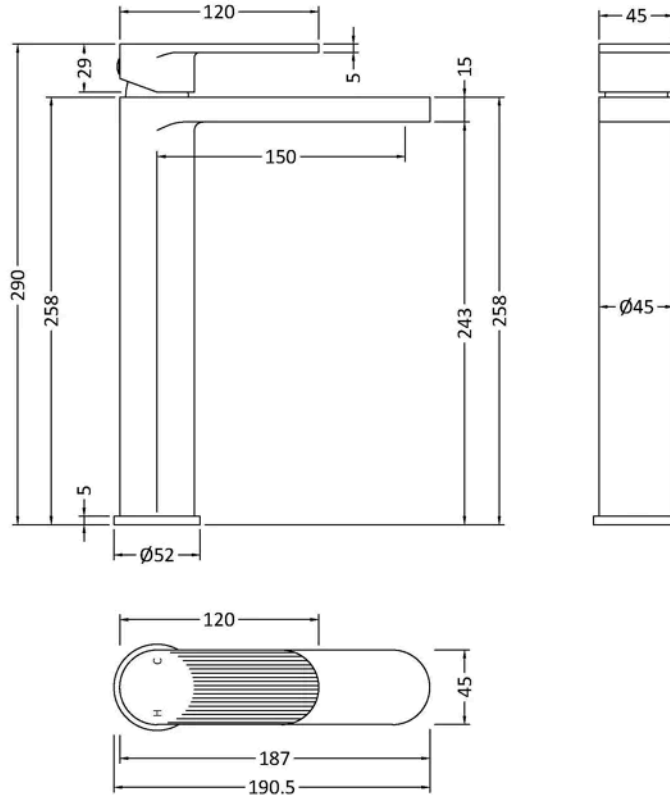


**Sales Code:** BIN1570F

**Barcode:** 5056678478653

**Brand:** nuie

**Description:** nuie Cyprus Brushed Bronze High Rise Mono Basin Mixer



### Product Dimensions

Product	290 x 52 x 190mm (H x W x D)
Packaged	95 x 265 x 325mm (H x W x D)
Outer Box	500 x 300mm (W x D)
Nett Weight	2.28 kg
Packaged Weight	2.28 kg

### Packaging Details

Label Size (mm)	50 x 100
Label Colour	White
Label Qty	1.0000

### Product Details

Country of Origin	China
Product Material	Brass
Control Type	Manual
Waste Type	Push Button
WRAS Approved	Yes
Valve/Cartridge Type	Single Lever Cartridge
Colour/Finish	Brushed Bronze
Mount Type	Deck
Style	Contemporary
Handle Type	Lever/Round
Fixings Included	Yes
TMV2 Approved	No
TMV3 Approved	No
Pipe Size	1/2"
Handset Included	No
Hose Included	No
Min Operating Pressure	0.2 Bar
Tap Spout Height	113 mm
Tap Spout Projection	110 mm
Tap Tails Included	Yes
Valve / Cartridge Type	Single Lever Cartridge
Waste Included	No
Wras Approval No	250702009