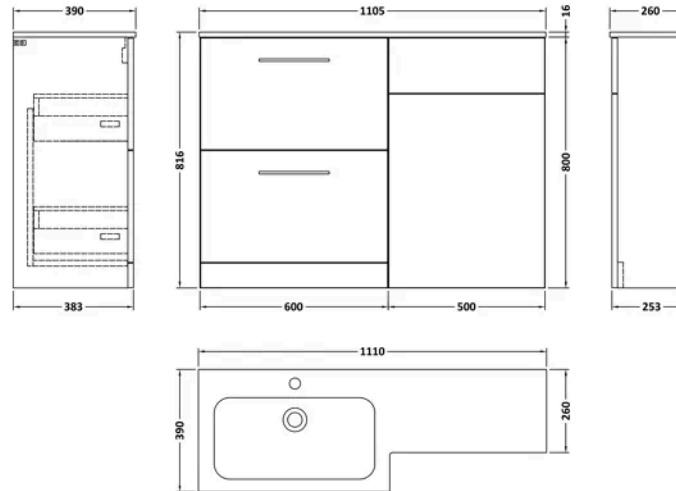


Sales Code:
ARN115L

Barcode: 5056883755976

Brand: nuie

Description: nuie Arno 1100mm Gloss White 2 Drawer Floor Standing Left-Hand Combination Unit With Stone Basin



Product Dimensions

| | |
|-----------------|--------------------------------|
| Product | 858 x 1105 x 390mm (H x W x D) |
| Packaged | 800 x 1100 x 390mm (H x W x D) |
| Nett Weight | 55.6 kg |
| Packaged Weight | 50.6 kg |

Product Details

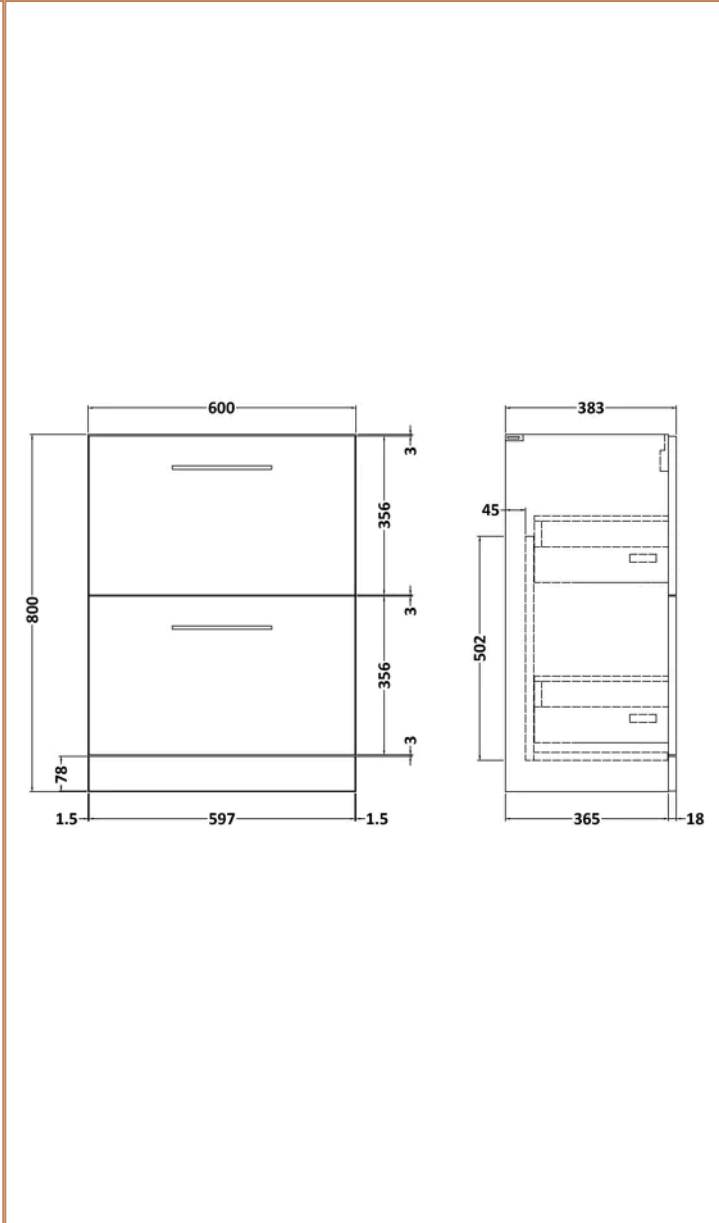
| | |
|-------------------------|---------------------------------|
| Country of Origin | China |
| Product Material | Mfc Painted Gloss,Stone |
| Colour/Finish | Gloss White |
| Mount Type | Floor |
| Style | Contemporary |
| Handle Type | D Shape |
| Construction Method | Cam & Wood Dowel |
| Construction Type | Rigid |
| Drawer Type | 80mm High Metal S/C Inc Gallery |
| Fsc Certified | Yes |
| Handles Included | Yes |
| Inner Bowl Height | 128 mm |
| Leg Set Included | No |
| Legs Included | No |
| Material Thickness | 16 mm |
| No. Drawers | 2 |
| No. Of Tapholes | 1 |
| Number Of Bowls | 1 |
| Overflow Cover Included | Yes |
| Overflow Included | Yes |
| Tap Included | No |
| Waste Included | No |
| Waste Shroud | No |

Sales Code: NVF133

Barcode: 5056462660646

Brand: nuie

Description: nuie Arno 600mm Gloss White 2 Drawer Floor Standing Vanity Unit



Product Dimensions

| | |
|-----------------|-------------------------------|
| Product | 800 x 600 x 383mm (H x W x D) |
| Packaged | 835 x 632 x 391mm (H x W x D) |
| Nett Weight | 26 kg |
| Packaged Weight | 26.5 kg |

Product Details

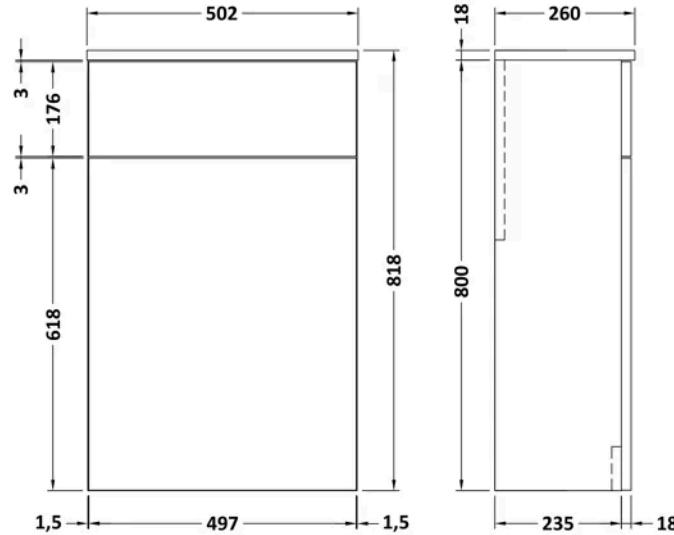
| | |
|------------------|-------------------|
| Product Material | Mfc Painted Gloss |
| Colour/Finish | Gloss White |

Sales Code: NVF141

Barcode: 5056462618395

Brand: nuie

Description: nuie Arno 500mm Gloss White Floor Standing WC Unit



Product Dimensions

| | |
|-----------------|-------------------------------|
| Product | 795 x 502 x 260mm (H x W x D) |
| Packaged | 825 x 525 x 260mm (H x W x D) |
| Nett Weight | 13.1 kg |
| Packaged Weight | 13.6 kg |

Product Details

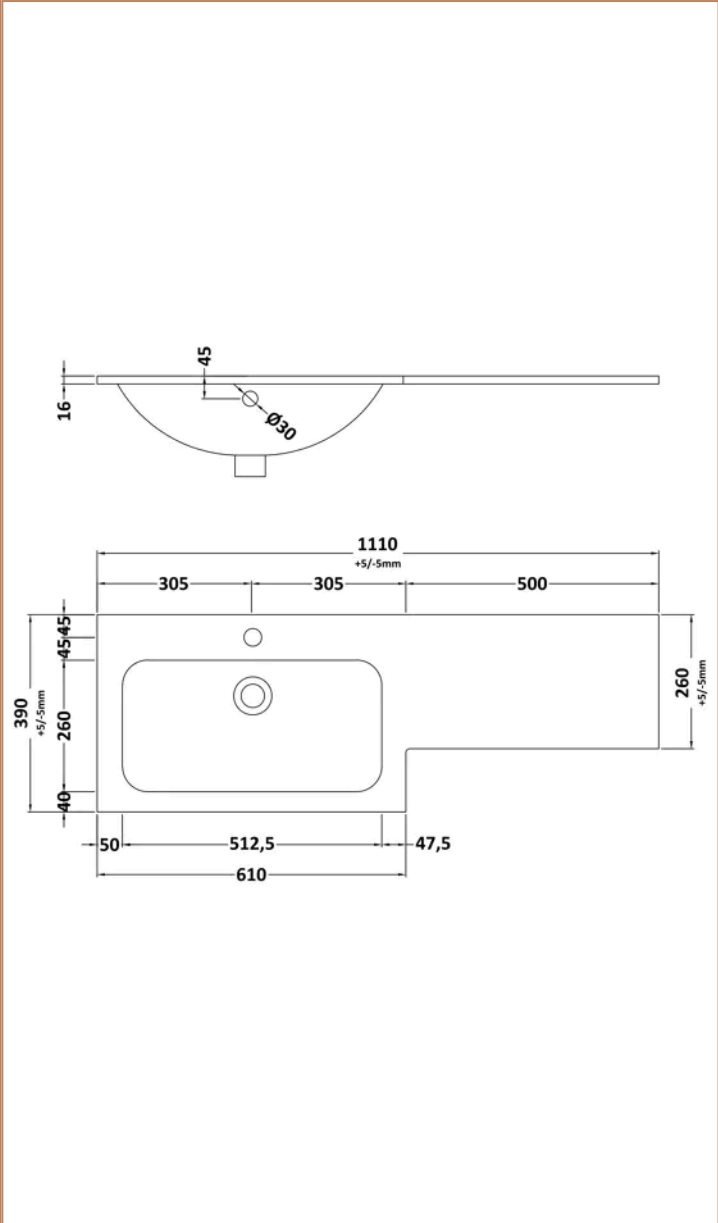
| | |
|---------------------|-------------------|
| Country of Origin | China |
| Product Material | Mfc Painted Gloss |
| Colour/Finish | Gloss White |
| Mount Type | Floor |
| Style | Contemporary |
| Construction Method | Cam & Wood Dowel |
| Construction Type | Rigid |
| Fsc Certified | Yes |
| Material Thickness | 16 mm |

Sales Code: SBM911L

Barcode: 5056678424315

Brand: nuie

Description: 1 Tap Hole 1100mm Carrera Marble Left Hand Stone Furniture Basin



Product Dimensions

| | |
|-----------------|--------------------------------|
| Product | 16 x 1110 x 390mm (H x W x D) |
| Packaged | 200 x 1175 x 460mm (H x W x D) |
| Nett Weight | 16.5 kg |
| Packaged Weight | 17 kg |

Product Details

| | |
|-------------------------|----------------|
| Country of Origin | China |
| Product Material | Stone |
| Colour/Finish | Carrera Marble |
| Style | Contemporary |
| Bottle Trap Included | No |
| Ce Certified | Yes |
| Inner Bowl Depth | 260 mm |
| Inner Bowl Height | 128 mm |
| Inner Bowl Width | 513 mm |
| No. Of Tapholes | 1 |
| Number Of Bowls | 1 |
| Overflow Cover Included | Yes |
| Overflow Included | Yes |
| Tap Included | No |
| Waste Included | No |