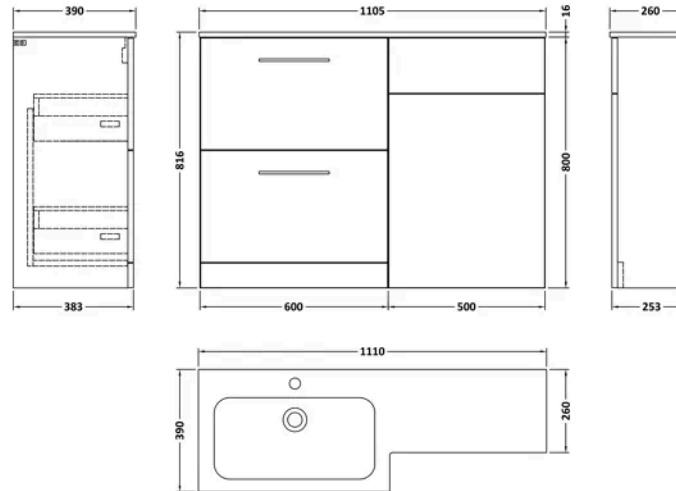


**Sales Code:**  
ARN114L

**Barcode:** 5056883755907

**Brand:** nuie

**Description:** nuie Arno 1100mm Gloss White 2 Drawer Floor Standing Left-Hand Combination Unit With Stone Basin



### Product Dimensions

Product	858 x 1105 x 390mm (H x W x D)
Packaged	800 x 1100 x 390mm (H x W x D)
Nett Weight	55.6 kg
Packaged Weight	50.6 kg

### Product Details

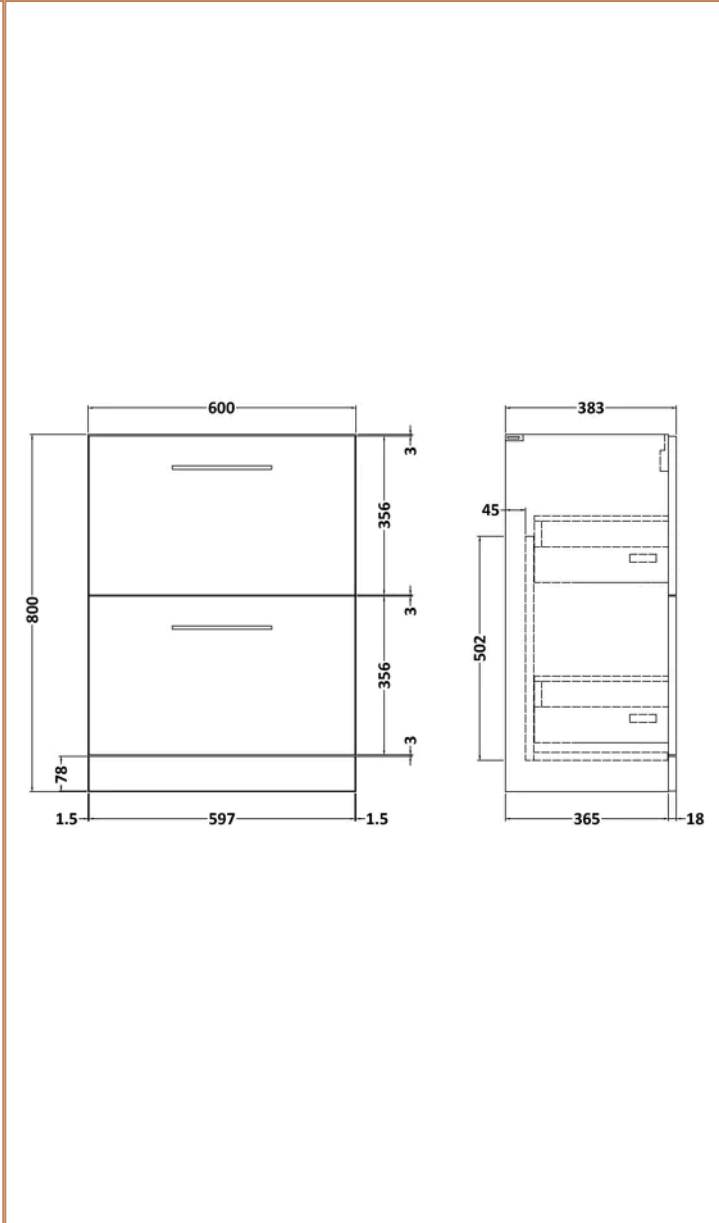
Country of Origin	China
Product Material	Mfc Painted Gloss,Stone
Colour/Finish	Gloss White
Mount Type	Floor
Style	Contemporary
Handle Type	D Shape
Construction Method	Cam & Wood Dowel
Construction Type	Rigid
Drawer Type	80mm High Metal S/C Inc Gallery
Fsc Certified	Yes
Handles Included	Yes
Inner Bowl Height	260 mm
Leg Set Included	No
Legs Included	No
Material Thickness	16 mm
No. Drawers	2
No. Of Tapholes	1
Number Of Bowls	1
Overflow Cover Included	Yes
Overflow Included	Yes
Tap Included	No
Waste Included	No
Waste Shroud	No

**Sales Code:** NVF133

**Barcode:** 5056462660646

**Brand:** nuie

**Description:** nuie Arno 600mm Gloss White 2 Drawer Floor Standing Vanity Unit



**Product Dimensions**

Product	800 x 600 x 383mm (H x W x D)
Packaged	835 x 632 x 391mm (H x W x D)
Nett Weight	26 kg
Packaged Weight	26.5 kg

**Product Details**

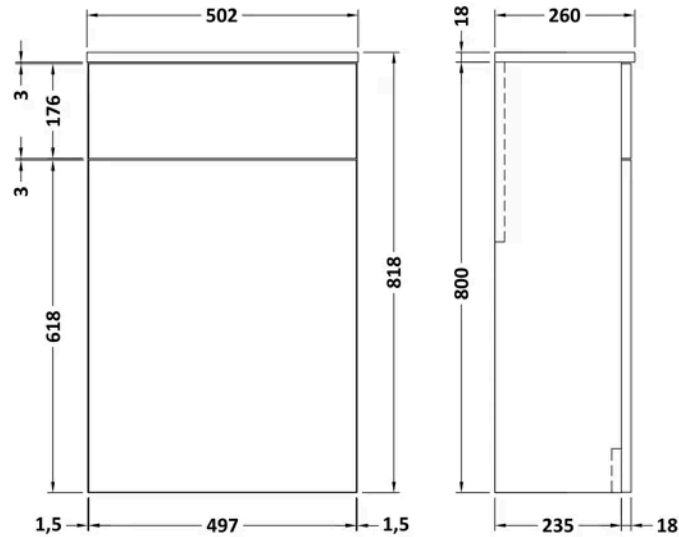
Product Material	Mfc Painted Gloss
Colour/Finish	Gloss White

**Sales Code:** NVF141

**Barcode:** 5056462618395

**Brand:** nuie

**Description:** nuie Arno 500mm Gloss White Floor Standing WC Unit



### Product Dimensions

Product	795 x 502 x 260mm (H x W x D)
Packaged	825 x 525 x 260mm (H x W x D)
Nett Weight	13.1 kg
Packaged Weight	13.6 kg

### Product Details

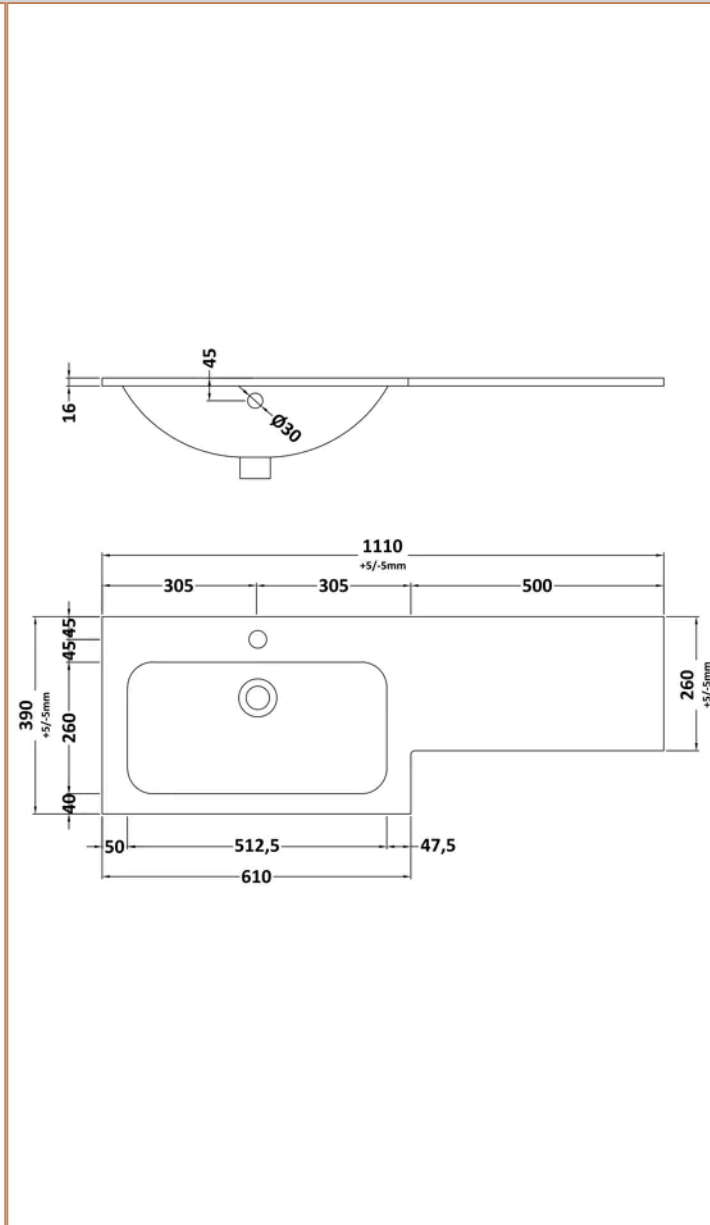
Country of Origin	China
Product Material	Mfc Painted Gloss
Colour/Finish	Gloss White
Mount Type	Floor
Style	Contemporary
Construction Method	Cam & Wood Dowel
Construction Type	Rigid
Fsc Certified	Yes
Material Thickness	16 mm

**Sales Code:** SBM111L

**Barcode:** 5056678424322

**Brand:** nuie

**Description:** 1 Tap Hole 1100mm White Left Hand Stone Furniture Basin



### Product Dimensions

Product	16 x 1110 x 390mm (H x W x D)
Packaged	200 x 1175 x 460mm (H x W x D)
Nett Weight	16.5 kg
Packaged Weight	17 kg

### Product Details

Country of Origin	China
Product Material	Stone
Colour/Finish	Matt White
Style	Contemporary
Bottle Trap Included	No
Ce Certified	Yes
Inner Bowl Height	260 mm
No. Of Tapholes	1
Number Of Bowls	1
Overflow Cover Included	Yes
Overflow Included	Yes
Tap Included	No
Waste Included	No